

Part No:LKTSJ-75/110-P900

Level Setting Attenuator



Specifications

Item	Minimum	Typical	Maximum	Units
Frequency range	75		110	Ghz
Insertion loss			0.5	dB
Power rating	0.5Watt@25°C			Cw
Attenuation			20dB+/- 2 dB/max	dB
V.S.W.R (Max)			1.5	
Connector type	FUGP900			
Convenient Level Setting	Manual Test Set			
Temperature Range	-40		85	°C
Colour	Gold Plated Waveguide Faces; gray Painted Body			
Environmental Specifications				
Operational Temperature	-40 °C~+85 °C			
Storage Temperature	-50 °C~+105 °C			
Vibration	25gRMS (15 degrees 2KHz) endurance, 1 hour per axis			
Humidity	100% RH at 35 ℃, 95%RH at 40 ℃			
Shock	20G for 11msec half sine wave,3 axis both directions			
Mechanical Specifications				
Housing Heat Sinks:	Brass			

成都利德尔科技有限公司 ChengDu Leader Microwave Technology Co.,Ltd

电话: 028-65199117 传真: 028-65199116

<http://www.leader-mw.com> Leader-mw@hotmail.com

TEL: +86-28-65199117 FAX: +86-28-65199116

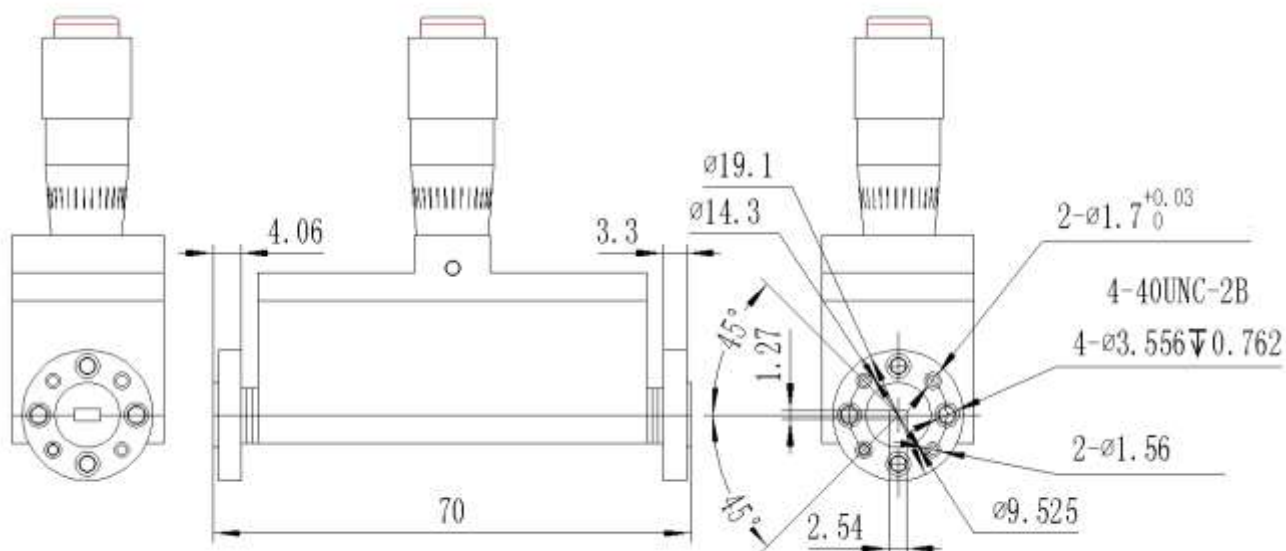
Add:中国 成都市成华区华翰路 89 号 610000

No.89,Huahan Road, chenghua Zone Chengdu, Sichuan China Zip Code:610000

Connector	FUGP900
Rohs	compliant
Weight	100g
Outline	

All Dimensions in mm

Tolerance : $\pm 0.3\text{MM}$



20d B Test data

成都利德尔科技有限公司 ChengDu Leader Microwave Technology Co.,Ltd

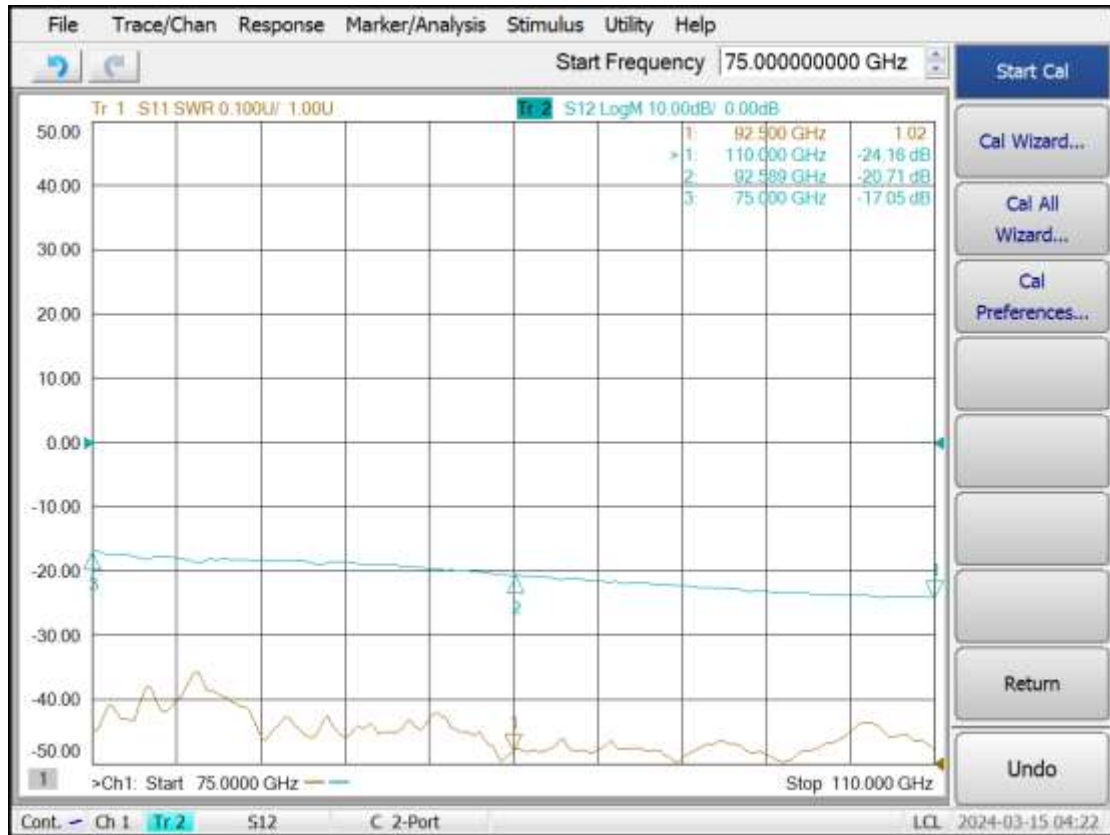
电话: 028-65199117 传真: 028-65199116

<http://www.leader-mw.com> Leader-mw@hotmail.com

TEL: +86-28-65199117 FAX: +86-28-65199116

Add: 中国 成都市成华区华翰路 89 号 610000

No.89,Huahan Road, chenghua Zone Chengdu, Sichuan China Zip Code:610000



成都利德尔科技有限公司 ChengDu Leader Microwave Technology Co.,Ltd

电话: 028-65199117 传真: 028-65199116

<http://www.leader-mw.com> Leader-mw@hotmail.com

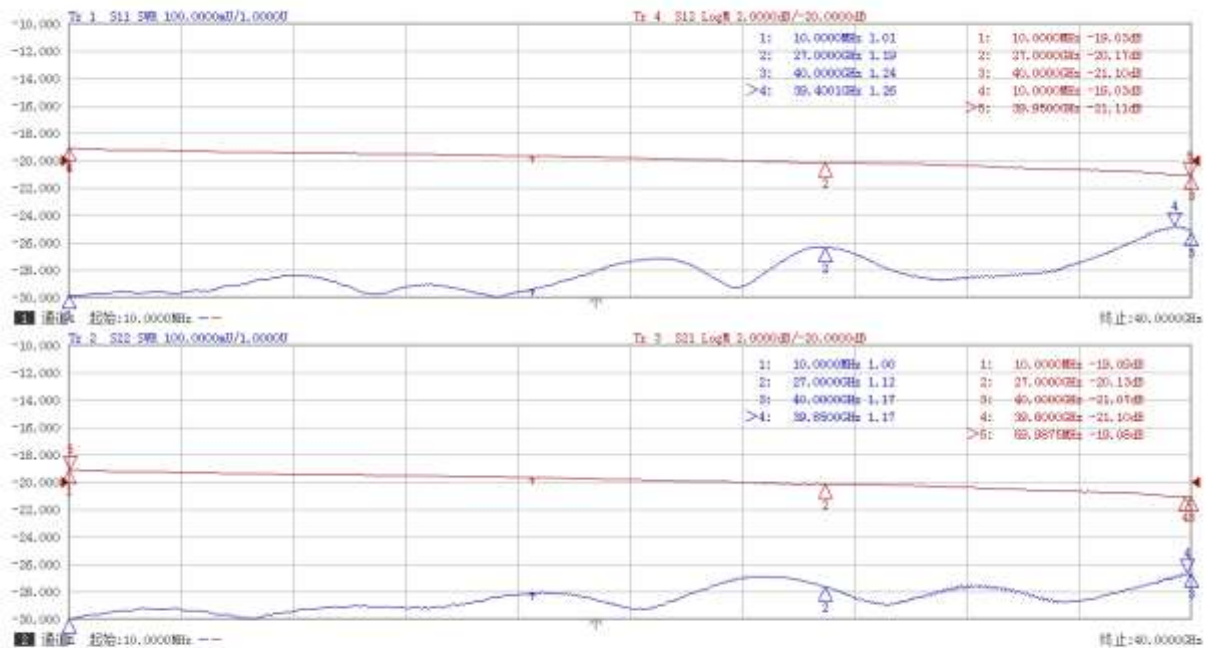
TEL: +86-28-65199117 FAX: +86-28-65199116

Add: 中国 成都市成华区华翰路 89 号 610000

No.89,Huahan Road, chenghua Zone Chengdu, Sichuan China Zip Code:610000

通道	扫描类型	起始频率	终止频率	扫描点数	中频带宽 (Hz)	扫描时间 (s)	端口1,2功率 (dBm)
通道1	线性扫描	0.010000000GHz	40.000000000GHz	801	500	1.489792	-5.0, -5.0
窗口1	光标号	△光标	数据	响应			
轨道1--011	1		10.0000GHz	1.009			
	2		27.0000GHz	1.185			
	3		40.0000GHz	1.240			
	4		39.4001GHz	1.260			
轨道4--012	1		10.0000GHz	-19.033dB			
	2		27.0000GHz	-20.167dB			
	3		40.0000GHz	-21.102dB			
	4		10.0000GHz	-19.033dB			
	5		39.9500GHz	-21.108dB			
窗口2	光标号	△光标	数据	响应			
轨道2--022	1		10.0000GHz	1.001			
	2		27.0000GHz	1.118			
	3		40.0000GHz	1.167			
	4		39.8500GHz	1.169			
轨道3--021	1		10.0000GHz	-19.087dB			
	2		27.0000GHz	-20.130dB			
	3		40.0000GHz	-21.075dB			
	4		39.8000GHz	-21.104dB			
	5		39.9870GHz	-19.079dB			

2024-11-18 18:15



成都利德尔科技有限公司 ChengDu Leader Microwave Technology Co.,Ltd

电话: 028-65199117 传真: 028-65199116

<http://www.leader-mw.com> Leader-mw@hotmail.com

TEL: +86-28-65199117 FAX: +86-28-65199116

Add: 中国 成都市成华区华翰路 89 号 610000

No.89,Huahan Road, chenghua Zone Chengdu, Sichuan China Zip Code:610000